

No.

412 / SUI 21

# CERTIFICATE OF JUMPING HILL CERTIFICAT DE CONFORMITE SCHANZENPROFILBESTÄTIGUNG

Date of issue 06.09.2023  
Établi le  
Ausgestellt am

Valid till 30.04.2028  
Valable jusqu' au  
Gültig bis

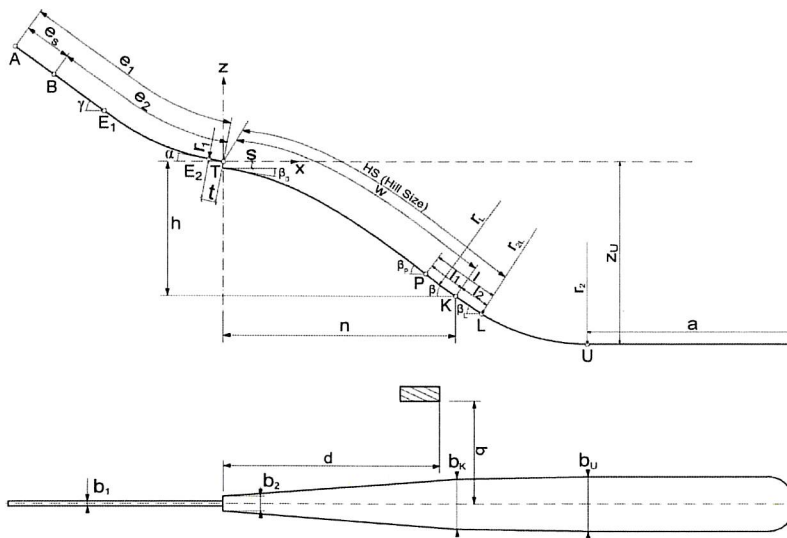
Place: Gibswil

Name: Bachtelblick

HS = 66 m

h/n = 0,48

Vo = 21,80 m/s



$e_1 = 72,70 \text{ m}$

$e_2 = 58,21 \text{ m}$

$e_s = 14,49 \text{ m}$  (21 gates, é 69cm)

$t = 5,70 \text{ m}$

$s = 1,50 \text{ m}$

$\gamma = 35,00^\circ$

$\alpha = 9,50^\circ$

$r_1 = 62,00 \text{ m}$

$h = 25,83 \text{ m}$

$n = 53,82 \text{ m}$

$l_1 = 2,17 \text{ m}$

$l_2 = 6,10 \text{ m}$

$a = 84,58 \text{ m}$

$\beta_p = 32,00^\circ$

$\beta = 31,00^\circ$

$\beta_L = 28,19^\circ$

$r_L = 124,50 \text{ m}$

$r_{2L} = / \text{ m}$

$r_2 = 72,00 \text{ m}$

$P = 58,00 \text{ m}$

$K = 60,00 \text{ m}$

$L = 66,00 \text{ m}$

$b_1 = 2,20 \text{ m}$

$b_K = 12,00 \text{ m}$

$b_U = 13,20 \text{ m}$

$d = 36,00 \text{ m}$

$q = 13,00 \text{ m}$

$z_U = / \text{ m}$

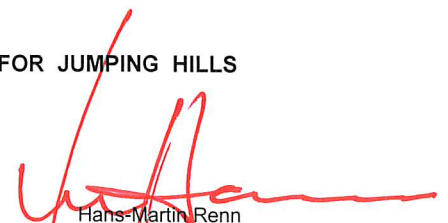
## Remarks / Bemerkungen

- inspection by Hubert Mathis (19th November 2022)
- the remarks of the inspection-report must be observed and fulfilled for the validity of the certification.
- for fulfilling the (FIS-ICR) standards of the jumping hill, the owner is responsible during training and competition.
- The outrun area must be closed from sport area to public area minimum temporary with damp mats.

JUMPING HILL APPROVED BY THE FIS  
TREMPLIN HOMOLOGUE PAR LA FIS  
DURCH DIE FIS GENEHMIGTE SPRUNGSCHANZE

SUB-COMMITTEE FOR JUMPING HILLS

CHAIRMAN:



Hans-Martin Renn