

No. 105 / POL 1 **1st prolongation after renewing 2017**
CERTIFICATE OF JUMPING HILL
CERTIFICAT DE CONFORMITE
SCHANZENPROFILBESTÄTIGUNG

Date of issue 09.12.2022
 Établi le
 Ausgestellt am

Valid till 30.04.2028
 Valable jusqu' au
 Gültig bis

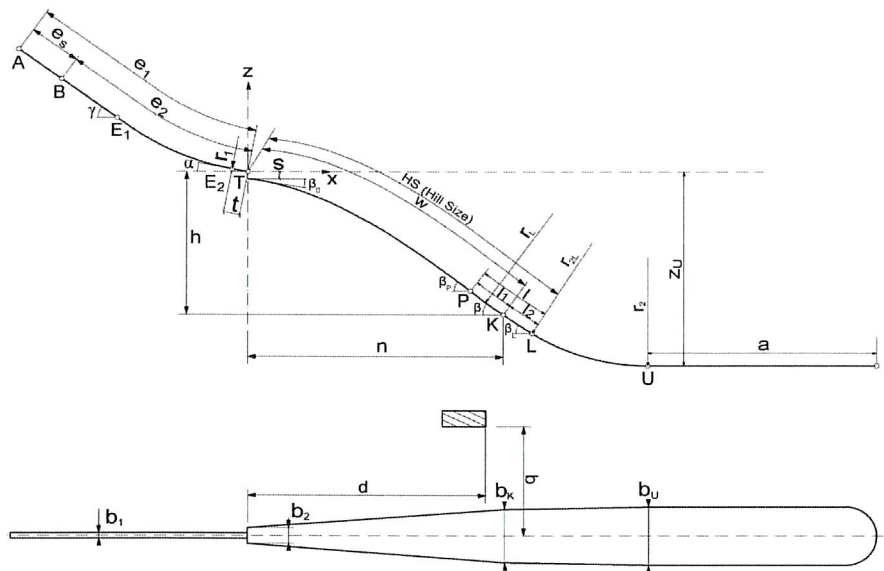
Place: Zakopane

Name: Wielka Krokiew

HS = 140 m

h/n = 0,575

Vo = 28,28 m/s



$e_1 = 97,80 \text{ m}$		$l_1 = 16,00 \text{ m}$	$P = 109,00 \text{ m}$
$e_2 = 77,00 \text{ m}$		$l_2 = 15,00 \text{ m}$	$K = 125,00 \text{ m}$
$e_s = 20,80 \text{ m}$	34 gates à 68cm à 36x50cm	$a = 103,00 \text{ m}$	sloping up 17°
$t = 6,50 \text{ m}$		$\beta_p = 37,00^\circ$	$L = 140,00 \text{ m}$
$\gamma = 35,00^\circ$		$\beta = 34,30^\circ$	$b_1 = 2,65 \text{ m}$
$\alpha = 11,00^\circ$		$\beta_L = 31,30^\circ$	$b_K = 25,00 \text{ m}$
$r_1 = 90,00 \text{ m}$		$r_L = 310,00 \text{ m}$	$b_U = 27,50 \text{ m}$
$h = 62,37 \text{ m}$		$r_{2L} = 168,00 \text{ m}$	$d = 84,00 \text{ m}$
$n = 107,76 \text{ m}$		$r_2 = 99,30 \text{ m}$	$q = 35,00 \text{ m}$
$s = 3,13 \text{ m}$			$Z_u = 89,11 \text{ m}$

Remarks / Bemerkungen

1. inspection by Josef Slavik (18th October 2022)
2. the remarks of the inspection-report must be observed and fulfilled for the validity of certification.
3. for fulfilling the (FIS-ICR) standards of the jumpinghill, the owner is responsible during training and compe
4. the function of the chair lift is precondition for carrying out international FIS competitions

JUMPING HILL APPROVED BY THE FIS
 TREMPLIN HOMOLOGUE PAR LA FIS
 DURCH DIE FIS GENEHMIGTE SPRUNGSCHANZE

SUB-COMMITTEE FOR JUMPING HILLS

CHAIRMAN:



Hans-Martin Renn