

No. 106 / POL 2 **certificate after renovation**

# CERTIFICATE OF JUMPING HILL CERTIFICAT DE CONFORMITE SCHANZENPROFILBESTÄTIGUNG

Date of issue 07.08.2024  
Établi le  
Ausgestellt am

Valid till **30.04.2029**  
Valable jusq' au  
Gültig bis

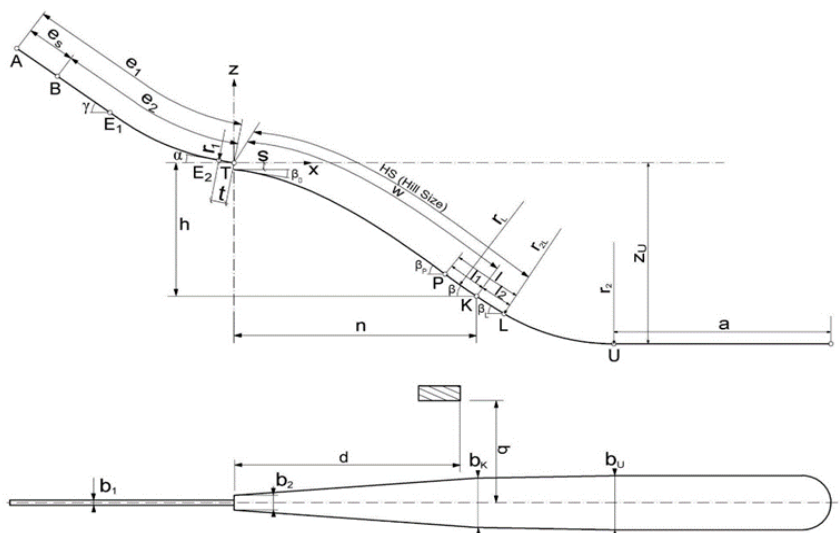
Place: Wisla

Name: Malinka Adama Malysza

HS = 134 m

h/n = 0.566

Vo = 25,70 m/s



$e_1 = 93,85 \text{ m}$	$l = 30,00 \text{ m}$	$P = 104,00 \text{ m}$
$e_2 = 77,30 \text{ m}$	$l_1 = 16,00 \text{ m}$	$K = 120,00 \text{ m}$
$e_s = 16,55 \text{ m}$ 33 gates á 50cm é 27/42cm	$l_2 = 14,00 \text{ m}$	$L = 134,00 \text{ m}$
$t = 6,71 \text{ m}$	$a = 60,30 \text{ m}$ 21,7° sloping up	$b_1 = 2,57 \text{ m}$
$\gamma = 35,00^\circ$	$\beta_p = 36,45^\circ$	$b_K = 24,00 \text{ m}$
$\alpha = 11,00^\circ$	$\beta = 33,50^\circ$	$b_U = 27,00 \text{ m}$
$r_1 = 105,00 \text{ m}$	$\beta_L = 30,80^\circ$	$d = 84,00 \text{ m}$
$h = 58,74 \text{ m}$	$r_L = 300,00 \text{ m}$	$q = 40,00 \text{ m}$
$n = 103,77 \text{ m}$	$r_{2L} = 130,00 \text{ m}$	$Z_U = 80,56 \text{ m}$
$s = 3,30 \text{ m}$	$r_2 = 80,00 \text{ m}$	

## Remarks / Bemerkungen

1. The inspection was made by Josef Slavik (6<sup>th</sup> August 2024).
2. The remarks in the inspection report must be observed and fulfilled for the validity of the certification.
3. The owner is responsible for maintaining the ICR standards during training and competitions.

JUMPING HILL APPROVED BY THE FIS  
TREPLIN HOMOLOGUE PAR LA FIS  
DURCH DIE FIS GENEHMIGTE SPRUNGSCHANZE

SUB-COMMITTEE FOR JUMPING HILLS

CHAIRMAN:

  
Hans-Martin Renn