

No. 297 / NOR 42 **2nd prolongation**
CERTIFICATE OF JUMPING HILL
CERTIFICAT DE CONFORMITE
SCHANZENPROFILBESTÄTIGUNG

Date of issue 10.12.2019
 Établi le
 Ausgestellt am

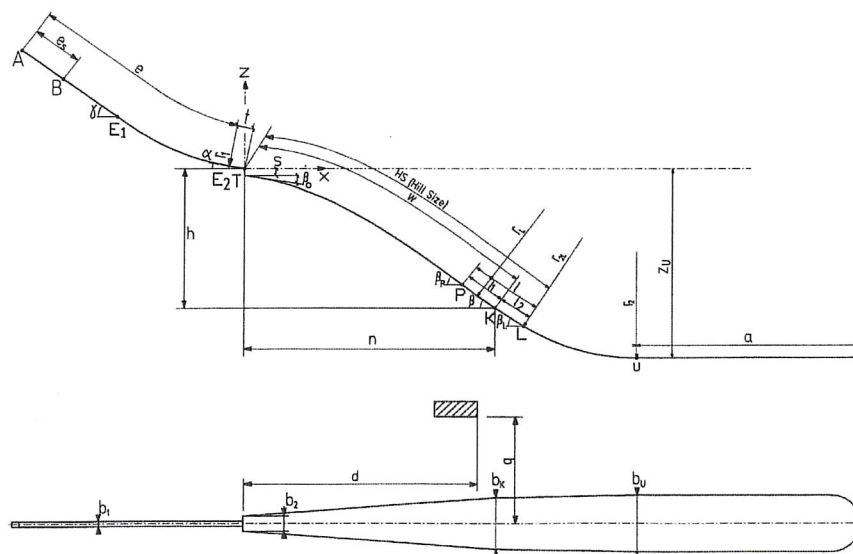
Valid till 30.04.2024
 Valable jusqu' au
 Gültig bis

Place: Vikersund

Name: HS 117

HS = 117 m h/n 0,561

Vo = 24,70 m/s



$e = 87,65 \text{ m}$	$l_1 = 8,12 \text{ m}$	$P = 96,88 \text{ m}$
$e_s = 18,11 \text{ m}$ (19 gates; $e = 58 \times 81 \text{ cm}$)	$l_2 = 12,28 \text{ m}$	$K = 105,00 \text{ m}$
$t = 6,00 \text{ m}$	$a = 87,00 \text{ m}$	$L = 117,28 \text{ m}$
$\gamma = 35,50^\circ$	$\beta_p = 35,75^\circ$	$b_1 = 2,64 \text{ m}$
$\alpha = 10,70^\circ$	$\beta = 34,00^\circ$	$b_K = 21,00 \text{ m}$
$r_1 = 85,00$	$\beta_L = 31,50^\circ$	$b_A = 23,70 \text{ m}$
$h = 51,12 \text{ m}$	$r_L = 275,00 \text{ m}$	$d = 58,60 \text{ m}$
$n = 91,12 \text{ m}$	$r_2 = 110,75 \text{ m}$	$q = 29,50 \text{ m}$
$s = 2,60 \text{ m}$		

Remarks / Bemerkungen

- inspection by Richard Kaiser (26th November 2019)
- for the standards and construction of the ski jumping hill (ICR) the owner is responsible during the training and competition
- the remarks of the inspection-report must be observed and fulfilled for the validity of the certification.

JUMPING HILL APPROVED BY THE FIS
 TREPLIN HOMOLOGUE PAR LA FIS
 DURCH DIE FIS GENEHMIGTE SPRUNGSCHANZE

SUB-COMMITTEE FOR JUMPING HILLS

CHAIRMAN:



Hans-Martin Renn