

No. 290 / NOR 40 **certificate after reconstruction**  
**CERTIFICATE OF JUMPING HILL**  
**CERTIFICAT DE CONFORMITE**  
**SCHANZENPROFILBESTÄTIGUNG**

Date of issue 27.08.2024  
 Établi le  
 Ausgestellt am

Valid till 30.04.2029  
 Valable jusqu' au  
 Gültig bis

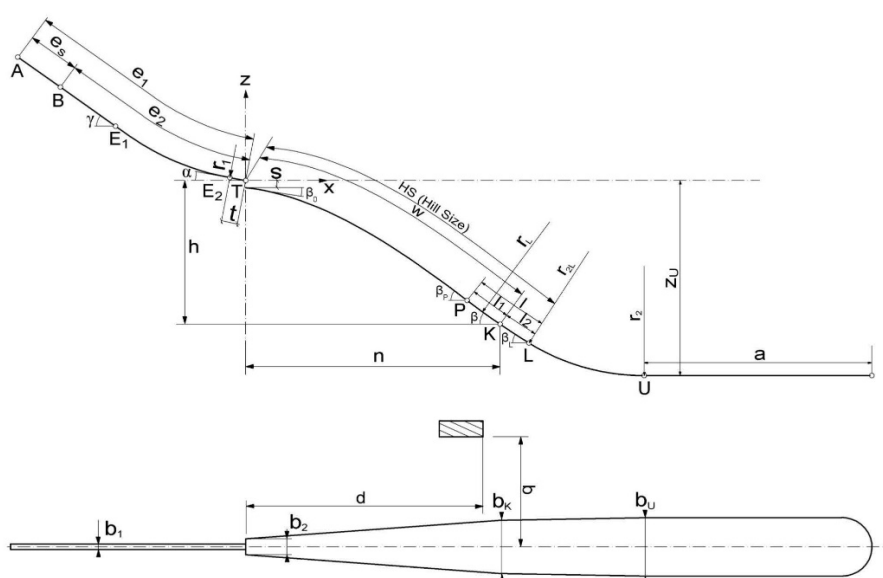
Place: Trondheim

Name: Granåsen

HS = 102 m

h/n = 0,548

Vo = 24,25 m/s



$e_1$	94,20 m	$V_0$	= 24,3	$P$	= 82,50 m		
$e_2$	= 67,70 m	$l_1$	= 11,50 m	$K$	= 94,00 m		
$e_s$	= 26,50 m	53 gates à 50cm è 40x39cm	$l_2$	= 8,00 m	$L$	= 102,00 m	
$t$	= 6,50 m		$a$	= 61,52 m	sloping up	$b_1$	= 2,50 m
$s$	= 2,20 m		$\beta_p$	= 36,76 °		$b_2$	= 7,50 m
$\gamma$	= 35,00 °		$\beta$	= 33,94 °		$b_K$	= 18,80 m
$\alpha$	= 11,10 °		$\beta_L$	= 31,80 °		$b_U$	= 20,70 m
$r_1$	= 95,00 m		$r_L$	= 220,00 m		$d$	= / m
$h$	= 44,89 m		$r_{2L}$	= 125,50 m		$q$	= / m
$n$	= 81,90 m		$r_2$	= 98,00 m		$z_U$	= 65,93 m

**Remarks / Bemerkungen**

1. inspection by Hubert Mathis (6th September 2023, release 27th August 2024)
2. the comments in the inspection-report must be observed and fulfilled for the validity of the certification.
3. the hill owner is responsible for compliance with the (FIS ICR) standards during training and competition.

JUMPING HILL APPROVED BY THE FIS  
 TREMPLIN HOMOLOGUE PAR LA FIS  
 DURCH DIE FIS GENEHMIGTE SPRUNGSCHANZE

SUB-COMMITTEE FOR JUMPING HILLS

CHAIRMAN:

Hans-Martin Renn