

No.

86 / NOR 1

2nd prolongation

CERTIFICATE OF JUMPING HILL CERTIFICAT DE CONFORMITE SCHANZENPROFILBESTÄTIGUNG

Date of issue 17.02.2022
Établi le
Ausgestellt am

Valid till 30.04.2027
Valable jusq' au
Gültig bis

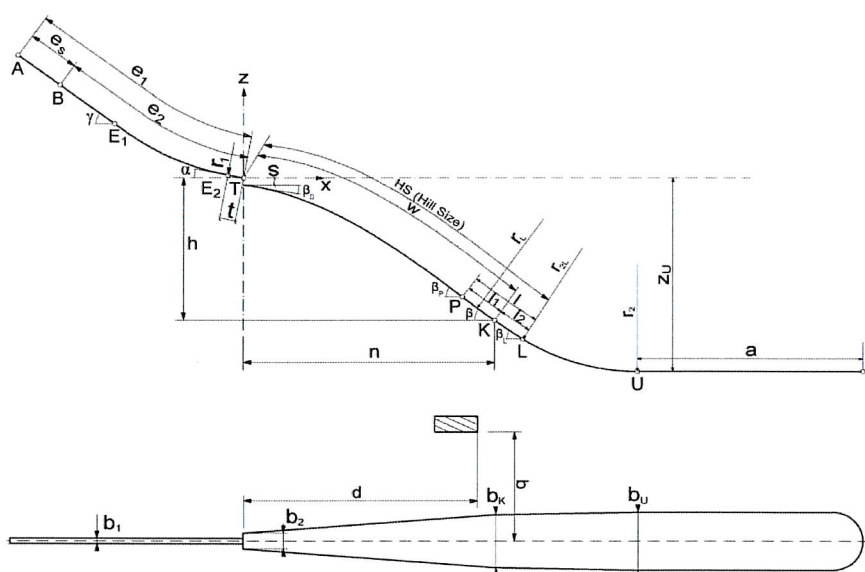
Place: Oslo

Name: Holmenkollbakken

HS = 134 m

$h/n = 0,57$

$V_0 = 26,30$ m/s



$e_1 = 95,65$ m	$s = 3,00$ m	$z_U = 81,40$ m
$e_s = 17,55$ m 40 gates $\acute{e}=45$ cm (27/35cm)	$l_1 = 14,40$ m	$P = 105,60$ m
$e_2 = 78,10$ m	$l_2 = 13,90$ m	$K = 120,00$ m
$t = 6,60$ m	$a = 75,00$ m sloping up	$L = 134,00$ m
$\gamma = 36,00^\circ$	$\beta_p = 35,70^\circ$	$b_1 = 2,77$ m
$\alpha = 11,0^\circ$	$\beta = 33,20^\circ$	$b_K = 25,20$ m
$r_1 = 108,80$ m	$\beta_L = 30,80^\circ$	$b_U = 27,40$ m
$h = 59,10$ m	$r_L = 329,80$ m	$d = 79,20$ m
$n = 103,70$ m	$r_{2L} = 106,00$ m	$q = 34,60$ m
	$r_2 = 106,00$ m	

Remarks / Bemerkungen

- inspection by Richard Kaiser (29th November 2021) and release (9th February 2022)
- for the standards of the construction of jumping hills (FIS/ICR) the owner is responsible during the training and competition
- the remarks of inspection report must be fulfilled for the validity of the certificate

JUMPING HILL APPROVED BY THE FIS
TREPLIN HOMOLOGUE PAR LA FIS
DURCH DIE FIS GENEHMIGTE SPRUNGSCHANZE

SUB-COMMITTEE FOR JUMPING HILLS

CHAIRMAN:



Hans-Martin Renn