

No.

358 / NOR 51

3rd prolongation

**CERTIFICATE OF JUMPING HILL
CERTIFICAT DE CONFORMITE
SCHANZENPROFILBESTÄTIGUNG**

Date of issue 03.11.2023
Établi le
Ausgestellt am

Valid till 30.04.2028
Valable jusq` au
Gültig bis

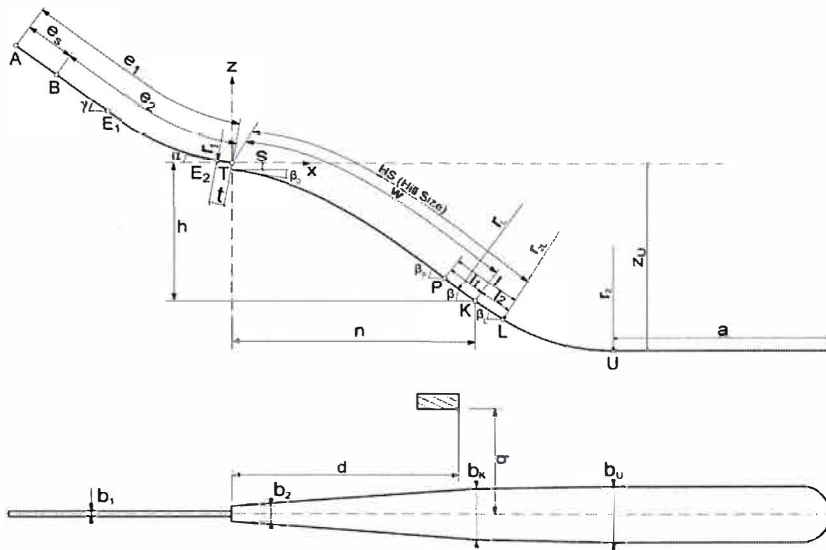
Place: Notodden

Name: Tveitanbakken

HS = 98 m

h/n = 0,542

Vo = 24,60 m/s



$e_1 = 89,60 \text{ m}$

$e_2 = 72,40 \text{ m}$

$e_s = 17,20 \text{ m}$

$t = 6,00 \text{ m}$

$s = 2,25 \text{ m}$

$\gamma = 33,00^\circ$

$\alpha = 11,00^\circ$

$r_1 = 80,00 \text{ m}$

$h = 42,67 \text{ m}$

$n = 78,73 \text{ m}$

$V_o = 24,60 \text{ m/s}$

$l_1 = 5,80 \text{ m}$

$l_2 = 8,00 \text{ m}$

$a = 82,00 \text{ m}$ sloping up

$\beta_p = 34,00^\circ$

$\beta = 32,60^\circ$

$\beta_L = 31,40^\circ$

$r_L = 222,00 \text{ m}$

$r_{2L} = / \text{ m}$

$r_2 = 98,00 \text{ m}$

$P = 84,20 \text{ m}$

$K = 90,00 \text{ m}$

$L = 98,00 \text{ m}$

$b_1 = 2,30 \text{ m}$

$b_2 = 8,00 \text{ m}$

$b_K = 18,00 \text{ m}$

$b_U = 22,70 \text{ m}$

$d = 28,00 \text{ m}$

$q = 14,00 \text{ m}$

$Z_u = 92,30 \text{ m}$

Remarks / Bemerkungen

- inspection by Hubert Mathis (7th September 2023)
- the remarks in the inspection-report must be fulfilled for the validity of the certification.
- for fulfilling the (FIS-ICR) standards of the jumping hill, the owner is responsible during training and competition.
- the renewing of the guardrails is recommended for the next prolongation of the certificate

JUMPING HILL APPROVED BY THE FIS
TREPLIN HOMOLOGUE PAR LA FIS
DURCH DIE FIS GENEHMIGTE SPRUNGSCHANZE

CHAIRMAN:

Hans-Martin Renn