

No.

149 / GER 19

certificate after hill renewing in 2022

# CERTIFICATE OF JUMPING HILL CERTIFICAT DE CONFORMITE SCHANZENPROFILBESTÄTIGUNG

Date of issue 03.08.2022  
Établi le  
Ausgestellt am

Valid till 31.04.2027  
Valable jusq` au  
Gültig bis

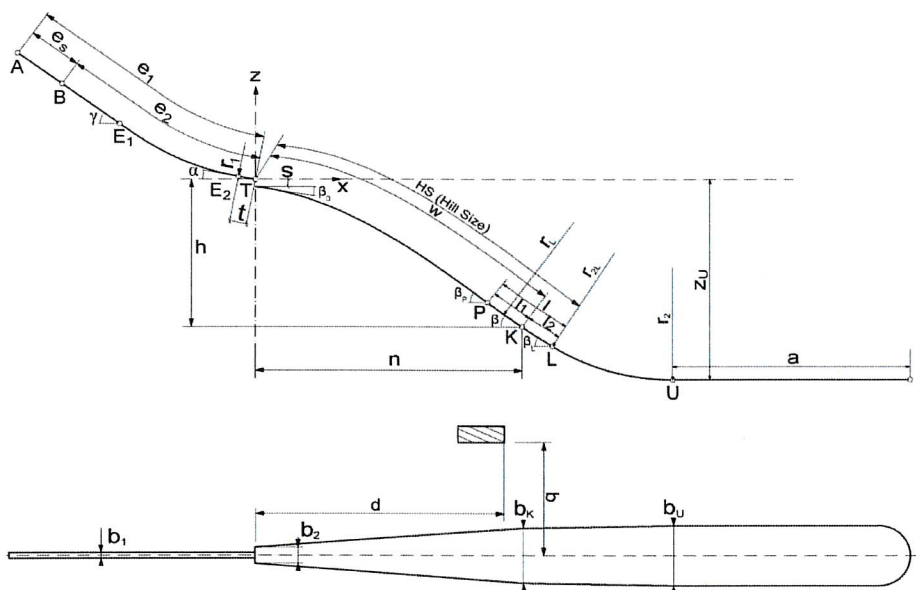
Place: Oberstdorf

Name: Schattenberg

HS = 137 m

h/n = 0,575

Vo = 25,90 m/s



$e_1 = 106 \text{ m}$	$l_1 = 11.15 \text{ m}$	$P = 108.85 \text{ m}$
$e_s = 27 \text{ m}$ 54 gates à 29/41cm	$l_2 = 17.42 \text{ m}$	$K = 120 \text{ m}$
$t = 6.5 \text{ m}$	$a = 95 \text{ m}$	$L = 137.42 \text{ m}$
$\gamma = 35^\circ$	$\beta_p = 37.43^\circ$	$b_1 = 2.82 \text{ m}$
$\alpha = 11.0^\circ$	$\beta = 35.50^\circ$	$b_K = 24.00 \text{ m}$
$r_1 = 115 \text{ m}$	$\beta_L = 33.56^\circ$	$b_A = 26.40 \text{ m}$
$h = 59.52 \text{ m}$	$r_L = 321 / 757.63 \text{ m}$	$d = 87 \text{ m}$
$n = 103.51 \text{ m}$	$r_2 = 100 \text{ m}$	$q = 44 \text{ m}$
$s = 3.38 \text{ m}$	$Z_U = 86,06 \text{ m}$	

## Remarks / Bemerkungen

- inspection by Pierre Bailly (2nd August 2022)
- The operator is responsible for compliance with the FIS ski jumping hill construction norms and the FIS International Competition Rules (ICR) during training and competitions
- the remarks of the inspection-report must be observed and fulfilled for the validity of the certification.

JUMPING HILL APPROVED BY THE FIS  
TREPLIN HOMOLOGUE PAR LA FIS  
DURCH DIE FIS GENEHMIGTE SPRUNGSCHANZE

SUB-COMMITTEE FOR JUMPING HILLS

CHAIRMAN:



Hans-Martin Renn