

No.

215 / GER 29

certificate after hill renewing in 2022

CERTIFICATE OF JUMPING HILL
CERTIFICAT DE CONFORMITE
SCHANZENPROFILBESTÄTIGUNG

Date of issue 03.08.2022
 Établi le
 Ausgestellt am

Valid till 31.04.2027
 Valable jusq` au
 Gültig bis

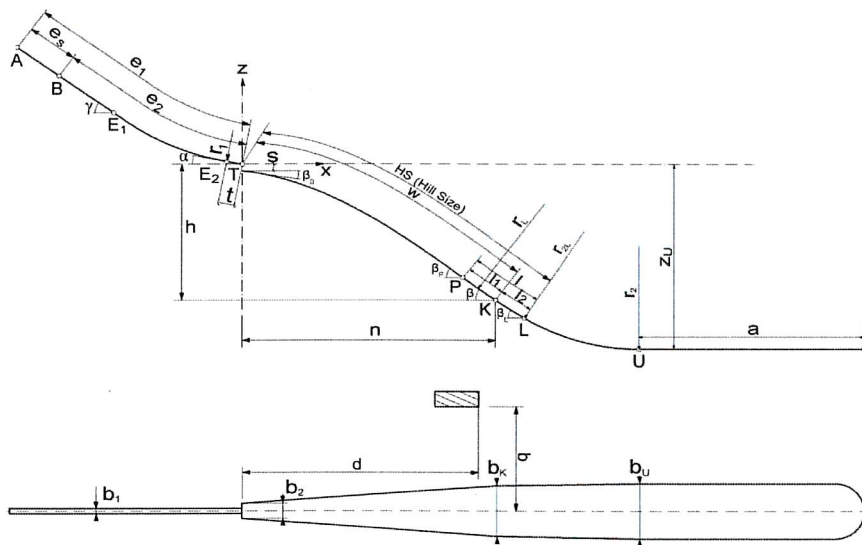
Place: Oberstdorf

Name: Schattenberg

HS = 106 m

h/n = 0,541

Vo = 25,00 m/s



| | | |
|--|-----------------------------|-------------------------|
| $e_1 = 95,50 \text{ m}$ | $l_1 = 11,52 \text{ m}$ | $P = 83,48 \text{ m}$ |
| $e_s = 20,70 \text{ m}$ 42 gates (29/42cm) | $l_2 = 10,43 \text{ m}$ | $K = 95,00 \text{ m}$ |
| $t = 6,50 \text{ m}$ | $a = 90,00 \text{ m}$ | $L = 105,43 \text{ m}$ |
| $\gamma = 35,00^\circ$ | $\beta_p = 37,00^\circ$ | $b_1 = 2,37 \text{ m}$ |
| $\alpha = 11,00^\circ$ | $\beta = 34,50^\circ$ | $b_2 = 6,05 \text{ m}$ |
| $r_1 = 95,00 \text{ m}$ | $\beta_L = 32,00^\circ$ | $b_K = 19,00 \text{ m}$ |
| $h = 44,93 \text{ m}$ | $r_L = 220,00 \text{ m}$ | $b_U = 20,90 \text{ m}$ |
| $n = 83,07 \text{ m}$ | $r_{2L} = 106,50 \text{ m}$ | $d = 58,98 \text{ m}$ |
| $s = 2,20 \text{ m}$ winter | $r_2 = 106,60 \text{ m}$ | $q = 24,00 \text{ m}$ |
| | $z_U = 65,40 \text{ m}$ | |

Remarks / Bemerkungen

- inspection by Pierre Bailly (2nd August 2022)
- The operator is responsible for compliance with the FIS ski jumping hill construction norms and the FIS International Competition Rules (ICR) during training and competitions
- the remarks of the inspection-report must be observed and fulfilled for the validity of the certification.

JUMPING HILL APPROVED BY THE FIS
 TREMPLEIN HOMOLOGUE PAR LA FIS
 DURCH DIE FIS GENEHMIGTE SPRUNGSCHANZE

SUB-COMMITTEE FOR JUMPING HILLS

CHAIRMAN:


 Hans-Martin Renn