

No. 318 / GER 59 **1st prolongation**  
**CERTIFICATE OF JUMPING HILL**  
**CERTIFICAT DE CONFORMITE**  
**SCHANZENPROFILBESTÄTIGUNG**

Date of issue 28.07.2024  
 Établi le  
 Ausgestellt am

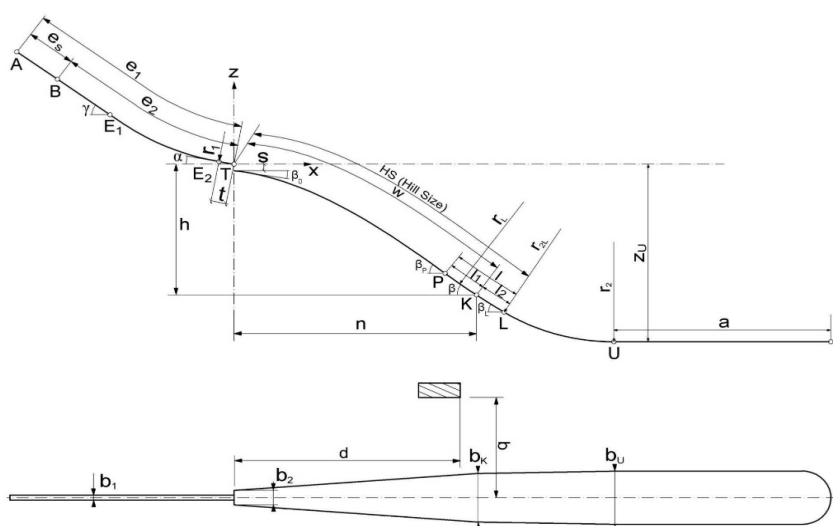
Valid till 30.04.2029  
 Valable jusqu'au  
 Gültig bis

Place: Oberhof

Name: Am Wadeberg

HS = 70 m h/n = 0,530

Vo = 21,50 m/s



$e_1 = 82,20 \text{ m}$	$l_1 = 5,23 \text{ m}$	$P = 59,00 \text{ m}$
$e_2 = 59,70 \text{ m}$	$l_2 = 6,30 \text{ m}$	$K = 64,00 \text{ m}$
$e_s = 22,50 \text{ m}$ 45 gates à 50cm; è 26,5/42,5cm	$a = 71,60 \text{ m}$	$L = 70,00 \text{ m}$
$t = 6,00 \text{ m}$	$\beta_0 = 6,50^\circ$	$b_1 = 2,20 \text{ m}$
$\gamma = 32,00^\circ$	$\beta_p = 36,80^\circ$	$b_2 = 8,50 \text{ m}$
$\alpha = 10,90^\circ$	$\beta = 34,50^\circ$	$b_K = 13,00 \text{ m}$
$r_1 = 75,00 \text{ m}$	$\beta_L = 31,50^\circ$	$b_U = 14,15 \text{ m}$
$h = 29,77 \text{ m}$	$r_L = 300,00 \text{ m}$	$d = 50,80 \text{ m}$
$n = 56,27 \text{ m}$	$r_{2L} = 165,00 \text{ m}$	$q = 30,20 \text{ m}$
$s = 1,60 \text{ m}$	$r_2 = 85,00 \text{ m}$	$z_U = 49,80 \text{ m}$

**Remarks / Bemerkungen**

1. inspection by Josef Slavik (30th May 2024)
2. the remarks in the inspection report must be observed and fulfilled for the validity of the certification.
3. the owner is responsible for maintaining the ICR standards during training and competitions.
4. during training and competition in front of the take-off table the area "B" must be covered with soft damp mats

JUMPING HILL APPROVED BY THE FIS  
 TREMPLIN HOMOLOGUE PAR LA FIS  
 DURCH DIE FIS GENEHMIGTE SPRUNGSCHANZE

SUB-COMMITTEE FOR JUMPING HILLS

CHAIRMAN:

Hans-Martin Renn