

No.

65 / FIN 5

4th prolongation

**CERTIFICATE OF JUMPING HILL
CERTIFICAT DE CONFORMITE
SCHANZENPROFILBESTÄTIGUNG**

Date of issue 09.12.2017
Établi le
Ausgestellt am

Valid till 31.12.2021
Valable jusq` au
Gültig bis

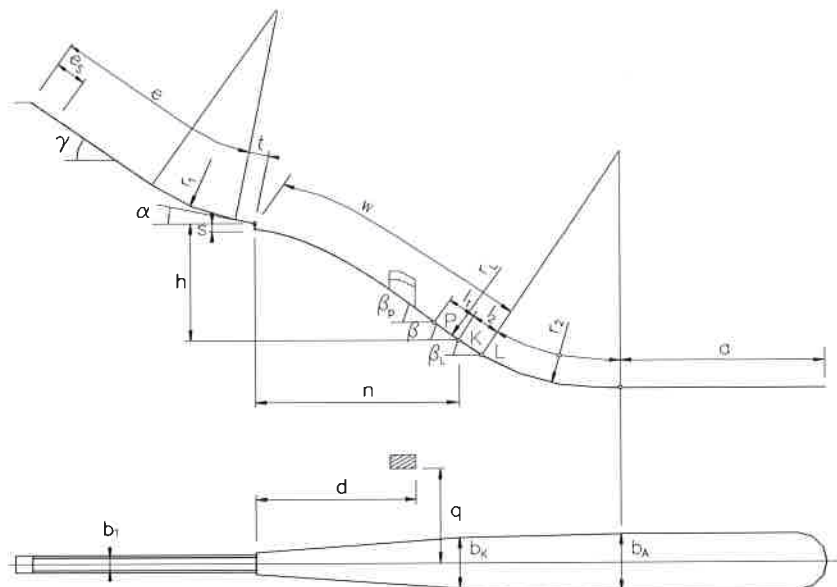
Place: Rovaniemi

Name: Ounasvara

HS = 100 m

$h/n = 0,55$

$V_o = 24,00$ m/s



$e = 73,50$ m
 $e_s = 12,40$ m 16 gates
 $t = 6,00$ m
 $\gamma = 37,00^\circ$
 $\alpha = 10,00^\circ$
 $r_1 = 80,64$ m
 $h = 43,16$ m
 $n = 78,47$ m
 $s = 2,70$ m

$l_1 = 11,78$ m
 $l_2 = 10,00$ m
 $a = 80,00$ m
 $\beta_p = 37,00^\circ$
 $\beta = 34,00^\circ$
 $\beta_L = 31,00^\circ$
 $r_L = 224,97$ m
 $r_2 = 87,81$ m

$P = 78,22$ m
 $K = 90,00$ m
 $L = 100,00$ m
 $b_1 = 2,5$ m
 $b_K = 17,40$ m
 $b_U = 19,75$ m
 $d = 48,50$ m
 $q = 31,00$ m

Remarks / Bemerkungen

1. inspection by Torgeir Nordby (30th June 2015)
2. the remarks of the inspection-report must be observed and fulfilled for the validity of certification.
3. for fulfilling the (FIS-ICR) standards of the jumpinghill, the owner is responsible during training and competition.
4. during training and competition:
 - 4.1. the area "B" between takeoff table and beginning of mat-covering must be covered with snow.
 - 4.2. the steel construction in front of the takeoff table of covering tarpaulin must be covered with mobile box and soft material.

JUMPING HILL APPROVED BY THE FIS
TREPLIN HOMOLOGUE PAR LA FIS
DURCH DIE FIS GENEHMIGTE SPRUNGSCHANZE

SUB-COMMITTEE FOR JUMPING HILLS

CHAIRMAN:

Hans-Martin Renn