

No. 139 / FIN 13

CERTIFICATE OF JUMPING HILL CERTIFICAT DE CONFORMITE SCHANZENPROFILBESTÄTIGUNG

Date of issue 18.01.2022
Établi le
Ausgestellt am

Valid till 30.04.2026
Valable jusqu' au
Gültig bis

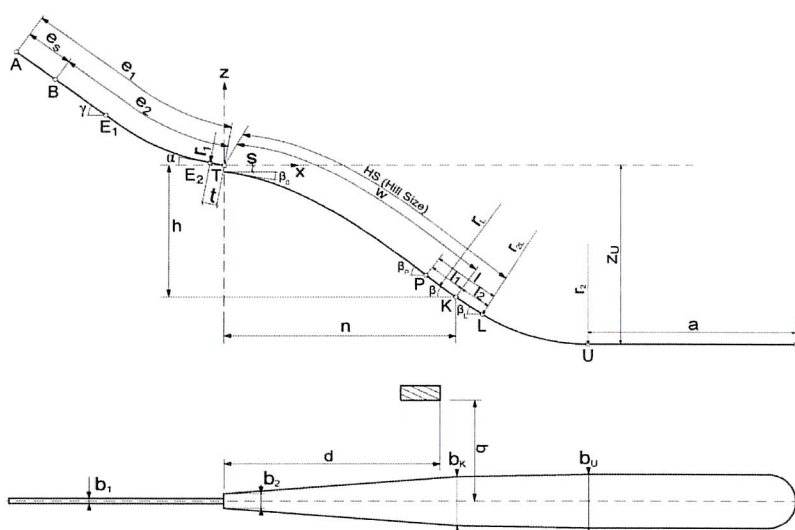
Place: Lahti

Name: Salpausselkä

HS = 130 m

$h/n = 0,562$

$V_0 = 25,70$ m/s



$e_1 = 89,90$ m	$s = 3,41$ m	$z_U = 78,23$ m
$e_2 = 73,15$ m	$l_1 = 16,00$ m	$P = 100,00$ m
$e_s = 16,75$ m 27 gates $\epsilon = 64$ cm	$l_2 = 14,00$ m	$K = 116,00$ m
$t = 6,45$ m	$a = 83,00$ m 17° sloping up	$L = 130,00$ m
$\gamma = 38,60^\circ$	$\beta_p = 37,70^\circ$	$b_1 = 2,66$ m
$\alpha = 10,50^\circ$	$\beta = 34,70^\circ$	$b_K = 24,45$ m
$r_1 = 95,55$ m	$\beta_L = 32,20^\circ$	$b_U = 24,70$ m
$h = 56,60$ m	$r_L = 305,80$ m	$d = 63,86$ m
$n = 100,70$ m	$r_2 = 92,87$ m	$q = 56,39$ m

Remarks / Bemerkungen

- inspection by Pekka Hyvärinen (30th August 2021) and release from 17th October 2021
- the remarks of the inspection-report must be observed and fulfilled for the validity of the certification.
- for fulfilling the (FIS-ICR) standards of the skijumpinghill, the owner is responsible during training and competition.
- the area "B" between takeoff table and beginning of mat-covering must be covered with soft damp mats

JUMPING HILL APPROVED BY THE FIS
TREPLIN HOMOLOGUE PAR LA FIS
DURCH DIE FIS GENEHMIGTE SPRUNGSCHANZE

SUB-COMMITTEE FOR JUMPING HILLS

CHAIRMAN:

Hans-Martin Renn