

No. 61 / FIN 1 6th prolongation

CERTIFICATE OF JUMPING HILL CERTIFICAT DE CONFORMITE SCHANZENPROFILBESTÄTIGUNG

Date of issue 10.11.2022
Établi le
Ausgestellt am

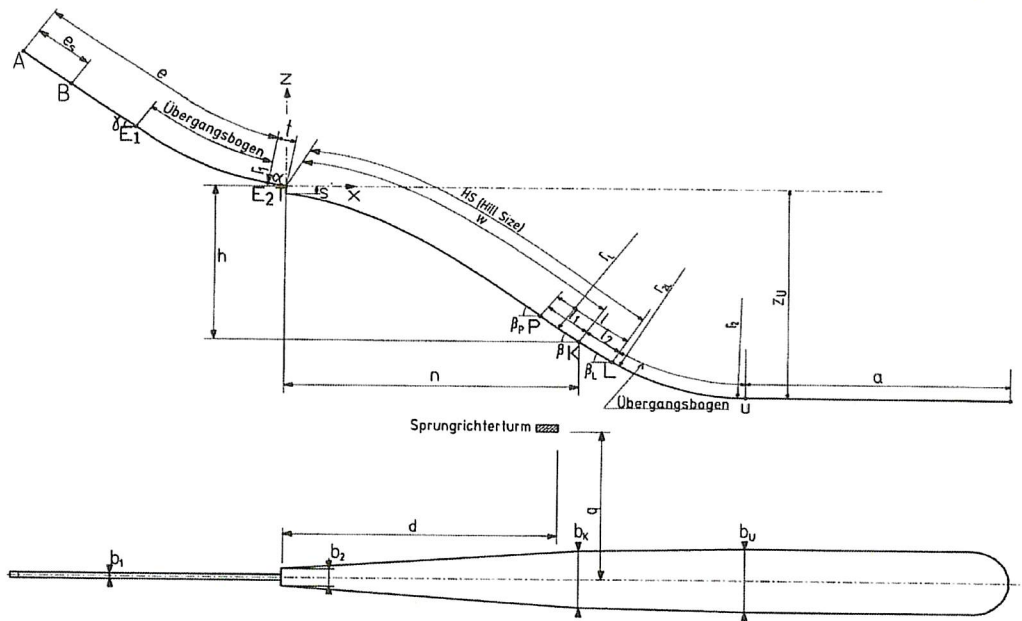
Valid till 30.04.2027
Valable jusqu'au
Gültig bis

Place: Ruka, Kuusamo

Name: Rukatunturi

HS = 142 m h/n = 0,575

Vo = 24,70 m/s



HS = 142,00 m	s = 3,50 m	z _U = 92,19 m
e = 98,83 m	l ₁ = 30,00 m	P = 90,00 m
e _s = 31,68 m 57 gates è = 55-59cm	l ₂ = 22,00 m	K = 120,00 m
t = 6,75 m	a = 80,00 m sloping up	L = 142,00 m
γ = 35,00 °	β _p = 38,00 °	b ₁ = 2,50 m
α = 10,80 °	β = 36,90 °	b _K = 24,00 m
r ₁ = 103,00 m	β _L = 32,30 °	b _U = 24,50 m
h = 59,25 m	r _L = / m	d = 76,80 m
n = 103,05 m	r ₂ = 135,00 m	q = 46,50 m

Remarks / Bemerkungen

1. Inspection by Pekka Hyvärinen (7th October 2022)
2. The remarks of the inspection-report must be observed and fulfilled for the validity of the certification.
3. For fulfilling the (FIS-ICR) standards of the jumpinghill, the owner is responsible during training and competition.
4. In the outrun area closed guard-rails must be fixed in accordance to IWO 411.5.2 during training and competition;

JUMPING HILL APPROVED BY THE FIS
TREMPLIN HOMOLOGUE PAR LA FIS
DURCH DIE FIS GENEHMIGTE SPRUNGSCHANZE

SUB-COMMITTEE FOR JUMPING HILLS

CHAIRMAN:

Hans-Martin Renn