

No. 408 / CHN 3 **1st certificate**

# CERTIFICATE OF JUMPING HILL CERTIFICAT DE CONFORMITE SCHANZENPROFILBESTÄTIGUNG

Date of issue 27.11.2021  
Établi le  
Ausgestellt am

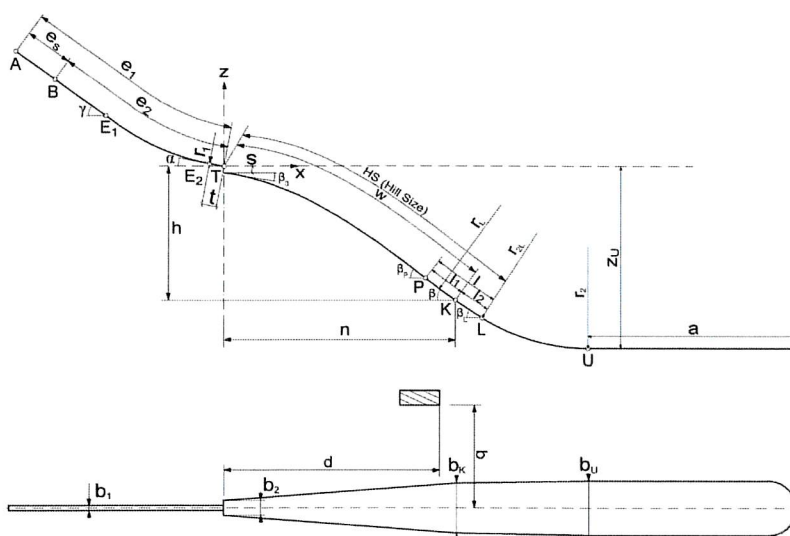
Valid till **30.04.2026**  
Valable jusq' au  
Gültig bis

Place: Zhangjiakou

Name: Olympic Ski Jump

HS = 140 m h/n = 0,585

Vo = 26,29 m/s



$e_1 = 105,21 \text{ m}$	$l_1 = 16,23 \text{ m}$	$P = 114,00 \text{ m}$
$e_2 = 81,21 \text{ m}$	$l_2 = 14,22 \text{ m}$	$K = 125,00 \text{ m}$
$e_s = 24,00 \text{ m}$ 42 gates $\dot{e} = 35 / 50\text{cm}$	$a = 85,00 \text{ m}$	$L = 140,00 \text{ m}$
$t = 6,98 \text{ m}$	$\beta_p = 37,10^\circ$	$b_1 = 2,54 \text{ m}$
$s = 3,12 \text{ m}$	$\beta = 34,10^\circ$	$b_K = 25,40 \text{ m}$
$\gamma = 35,00^\circ$	$\beta_L = 31,47^\circ$	$b_U = 27,50 \text{ m}$
$\alpha = 11,00^\circ$	$r_L = 310,00 \text{ m}$	$d = 76,00 \text{ m}$
$r_1 = 105,00 \text{ m}$	$r_{2L} = 155,00 \text{ m}$	$q = 47,50 \text{ m}$
$h = 62,80 \text{ m}$	$r_2 = 88,00 \text{ m}$	$z_U = 87,99 \text{ m}$
$n = 107,36 \text{ m}$		

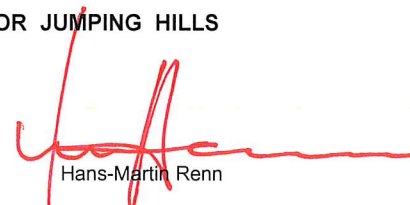
## Remarks / Bemerkungen

- inspection by Christian Kathol (15th October 2021)
- the remarks of the inspection-report must be observed and fulfilled for the validity of the certification.
- for fulfilling the (FIS-ICR) standards of the jumpinghill, the owner is responsible during training and competition.

JUMPING HILL APPROVED BY THE FIS  
TREMPLEIN HOMOLOGUE PAR LA FIS  
DURCH DIE FIS GENEHMIGTE SPRUNGSCHANZE

SUB-COMMITTEE FOR JUMPING HILLS

CHAIRMAN:



Hans-Martin Renn