

No. 409 / CHN 4 **1st certificate**
CERTIFICATE OF JUMPING HILL
CERTIFICAT DE CONFORMITE
SCHANZENPROFILBESTÄTIGUNG

Date of issue 27.11.2021
 Établi le
 Ausgestellt am

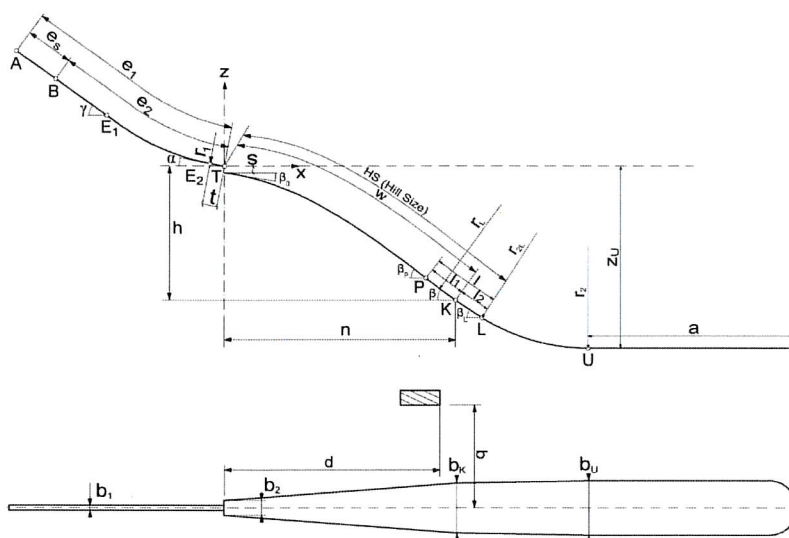
Valid till **30.04.2026**
 Valable jusqu' au
 Gültig bis

Place: Zhangjiakou

Name: Olympic Ski Jump

HS = 106 m h/n = 0,541

Vo = 25,22 m/s



$e_1 = 100,69 \text{ m}$	$l_1 = 11,52 \text{ m}$	$P = 83,00 \text{ m}$
$e_2 = 73,69 \text{ m}$	$l_2 = 10,42 \text{ m}$	$K = 95,00 \text{ m}$
$e_s = 24,00 \text{ m}$ 41 gates è = 35 / 50cm	$a = 81,00 \text{ m}$	$L = 106,00 \text{ m}$
$t = 6,50 \text{ m}$	$\beta_p = 37,10^\circ$	$b_1 = 2,54 \text{ m}$
$s = 2,37 \text{ m}$	$\beta = 34,10^\circ$	$b_K = 18,85 \text{ m}$
$\gamma = 35,00^\circ$	$\beta_L = 31,39^\circ$	$b_U = 21,00 \text{ m}$
$\alpha = 11,00^\circ$	$r_L = 220,00 \text{ m}$	$d = 76,00 \text{ m}$
$r_1 = 95,00 \text{ m}$	$r_{2L} = 155,00 \text{ m}$	$q = 27,50 \text{ m}$
$h = 44,98 \text{ m}$	$r_2 = 88,00 \text{ m}$	$z_U = 68,02 \text{ m}$
$n = 83,14 \text{ m}$		

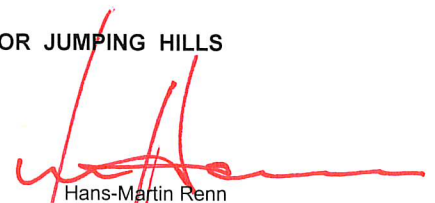
Remarks / Bemerkungen

- inspection by Christian Kathol (12th February 2021)
- the remarks of the inspection-report must be observed and fulfilled for the validity of the certification.
- for fulfilling the (FIS-ICR) standards of the jumpinghill, the owner is responsible during training and competition.

JUMPING HILL APPROVED BY THE FIS
 TREPLIN HOMOLOGUE PAR LA FIS
 DURCH DIE FIS GENEHMIGTE SPRUNGSCHANZE

SUB-COMMITTEE FOR JUMPING HILLS

CHAIRMAN:



Hans-Martin Renn