

No. 359 / CAN 16 3rd prolongation

CERTIFICATE OF JUMPING HILL CERTIFICAT DE CONFORMITE SCHANZENPROFILBESTÄTIGUNG

Date of issue 04.11.2023
Établi le
Ausgestellt am

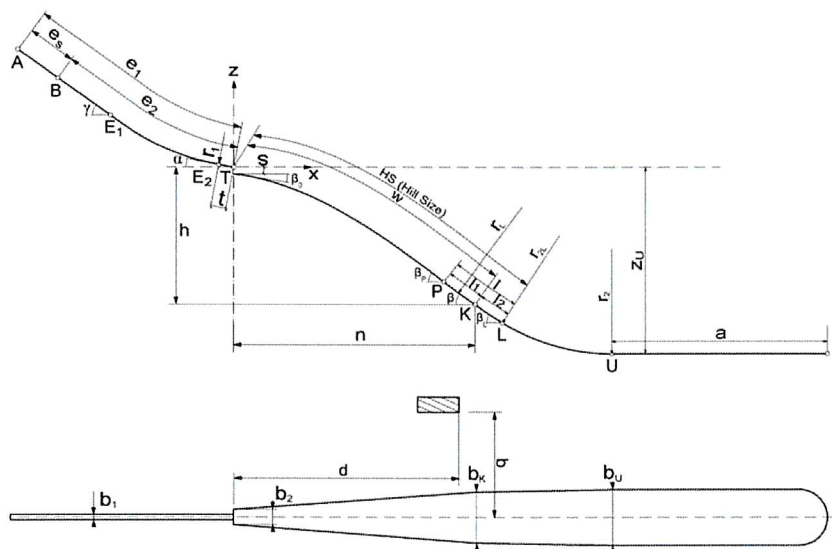
Valid till 30.04.2028
Valable jusqu' au
Gültig bis

Place: Whistler Olympic Park

Name: Olympic Hill

HS = 104 m h/n 0,55

Vo = 24,60 m/s



$e_1 = 90,88 \text{ m}$	$l_1 = 10,65 \text{ m}$	$V_0 = 24,87 \text{ m/s}$
$e_2 = 71,34 \text{ m}$	$l_2 = 9,00 \text{ m}$	$P = 84,00 \text{ m}$
$e_s = 19,54 \text{ m}$ 40 gates á=50cm (é 29/40cm)	$a = 80,00 \text{ m}$	$K = 95,00 \text{ m}$
$t = 6,10 \text{ m}$	$\beta_0 = 6,00^\circ$	$L = 104,00 \text{ m}$
$\gamma = 35,00^\circ$	$\beta_p = 36,50^\circ$	$b_1 = 2,67 \text{ m}$
$\alpha = 11,00^\circ$	$\beta = 34,00^\circ$	$b_K = 21,90 \text{ m}$
$r_1 = 90,00 \text{ m}$	$\beta_L = 32,60^\circ$	$b_U = 21,90 \text{ m}$
$h = 45,55 \text{ m}$	$r_L = 244,00 \text{ m}$	$d = 59,00 \text{ m}$
$n = 82,83 \text{ m}$	$r_{2L} = 131,50 \text{ m}$	$q = 26,00 \text{ m}$
$s = 2,38 \text{ m}$	$r_2 = 132,50 \text{ m}$	$Z_U = 68,05 \text{ m}$

Remarks / Bemerkungen

- inspection by Richard Kaiser (7th September 2023)
- the remarks in the inspection-report must be observed and fulfilled for the validity of this certification.
- for fulfilling the (FIS-ICR) standards of the jumping hill, the owner is responsible during training and competition.
- the steelconstruction in front of the take off table have to be covered with soft material during training and competition.

JUMPING HILL APPROVED BY THE FIS
TREMPLIN HOMOLOGUE PAR LA FIS
DURCH DIE FIS GENEHMIGTE SPRUNGSCHANZE

SUB-COMMITTEE FOR JUMPING HILLS

CHAIRMAN:

Hans-Martin Renn