

No.

11 / AUT 11

CERTIFICATE OF JUMPING HILL CERTIFICAT DE CONFORMITE SCHANZENPROFILBESTÄTIGUNG

Date of issue 11.09.2022
Établi le
Ausgestellt am

Valid till 30.04.2027
Valable jusq' au
Gültig bis

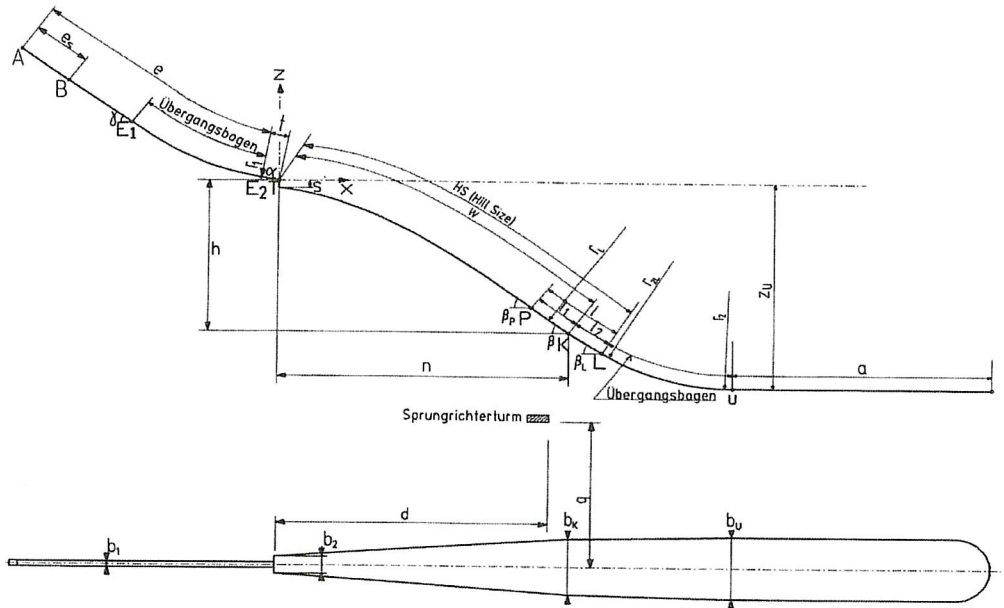
Place: Stams

Name: Mattenschanze W 60

HS = 66 m

$h/n = 0,553$

$V_o = 20,50$ m/s



$e = 58,10$ m	$l_1 = 12,00$ m	$z_U =$ / m
$e_s = 13,30$ m 21 gates, á 62cm, 35/50cm	$l_2 = 6,00$ m	$P = 48,00$ m
$t = 5,25$ m	$a = 70,00$ m	$K = 60,00$ m
$\gamma = 35,00^\circ$	$\beta_p = 36,00^\circ$	$L = 66,00$ m
$\alpha = 10,5^\circ$	$\beta = 36,00^\circ$	$b_1 = 1,75$ m
$r_1 = 59,00$ m	$\beta_L = 33,00^\circ$	$b_K = 11,60$ m
$h = 29,04$ m	$r_L =$ / m	$b_U = 11,75$ m
$n = 52,51$ m	$r_{2L} =$ / m	$d = 40,00$ m
$s = 2,20$ m	$r_2 = 71,50$ m	$q = 15,00$ m

Remarks / Bemerkungen

- inspection by Josef Slavik (10th May 2022)
- the remarks of the inspection-report are must be observed and fulfilled for the validity of certification.
- for fulfilling the (FIS/ICR) standards of the jumpinghill, the owner is responsible during training and competition.

JUMPING HILL APPROVED BY THE FIS
TREMLIN HOMOLOGUE PAR LA FIS
DURCH DIE FIS GENEHMIGTE SPRUNGSCHANZE

SUB-COMMITTEE FOR JUMPING HILLS

CHAIRMAN:

Hans Martin Renn