

No.

407 / AUT 54

# CERTIFICATE OF JUMPING HILL CERTIFICAT DE CONFORMITE SCHANZENPROFILBESTÄTIGUNG

Date of issue 20.12.2019  
Établi le  
Ausgestellt am

Valid till 31.04.2024  
Valable jusqu'au  
Gültig bis

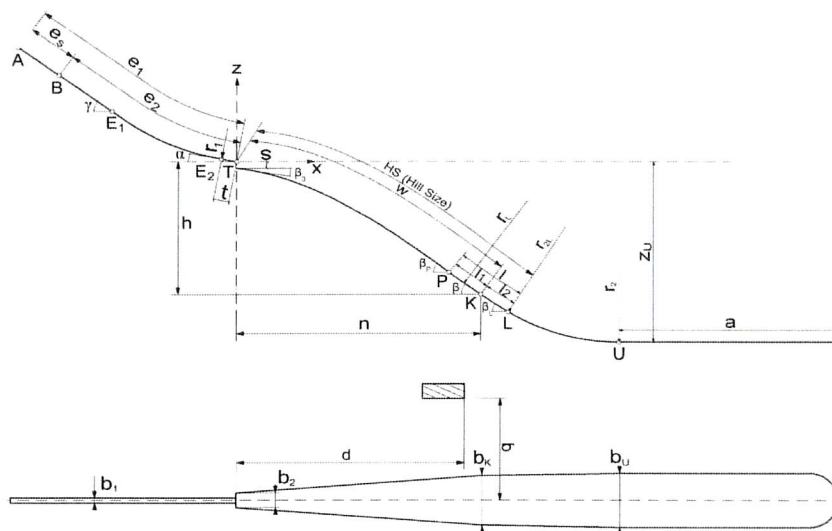
Place: Kitzbühel

Name: Schattenbergschanze

HS = 42 m

h/n = 0,45

Vo = 20,03 m/s



$e_1 = 80,53 \text{ m}$	$l = 8,00 \text{ m}$	$P = 34,00 \text{ m}$
$e_2 = 59,68 \text{ m}$	$l_1 = 4,00 \text{ m}$	$K = 38,00 \text{ m}$
$e_s = 20,85 \text{ m}$ 30 gates à 58/61cm	$l_2 = 4,00 \text{ m}$	$L = 42,00 \text{ m}$
$t = 5,21 \text{ m}$	$a = 55,50 \text{ m} \text{ *1)}$	$b_1 = 3,20 \text{ m}$
$\gamma = 22,50^\circ$	$\beta_p = 31,22^\circ$	$b_2 = 4,80 \text{ m}$
$\alpha = 8,00^\circ$	$\beta = 32,01^\circ$	$b_K = 9,08 \text{ m}$
$r_1 = 60,74 \text{ m}$	$\beta_L = 28,37^\circ$	$b_U = 9,60 \text{ m}$
$h = 15,27 \text{ m}$	$r_L = 70,00 \text{ m}$	$d = 37,50 \text{ m}$
$n = 34,24 \text{ m}$	$r_{2L} = 77,00 \text{ m}$	$q = 11,45 \text{ m}$
$s = 1,20 \text{ m}$	$r_2 = 77,00 \text{ m}$	$z_U = 25,89 \text{ m}$

## Remarks / Bemerkungen

- inspection by Richard Kaiser (16th Dezember 2019)
- The operator is responsible for compliance with the FIS ski jumping hill construction norms and the FIS International Competition Rules (ICR) during training and competitions
- the remarks of the inspection-report must be observed and fulfilled for the validity of the certification.
- \*1) the outrun area sloping up 2,1°.  
exception summer certificate: "a" is max. 7,5 - 9,5m too short. At the end of "a" the guardrails must be added with soft absorber mats during training and competition.

JUMPING HILL APPROVED BY THE FIS  
TREMPLEIN HOMOLOGUE PAR LA FIS  
DURCH DIE FIS GENEHMIGTE SPRUNGSCHANZE

SUB-COMMITTEE FOR JUMPING HILLS

CHAIRMAN:

  
Hans-Martin Renn