

No. 105 / POL 1 2.Verlängerung

CERTIFICATE OF JUMPING HILL
CERTIFICAT DE CONFORMITE
SCHANZENPROFILBESTÄTIGUNG

Date of issue 12.12.2011
Établi le
Ausgestellt am

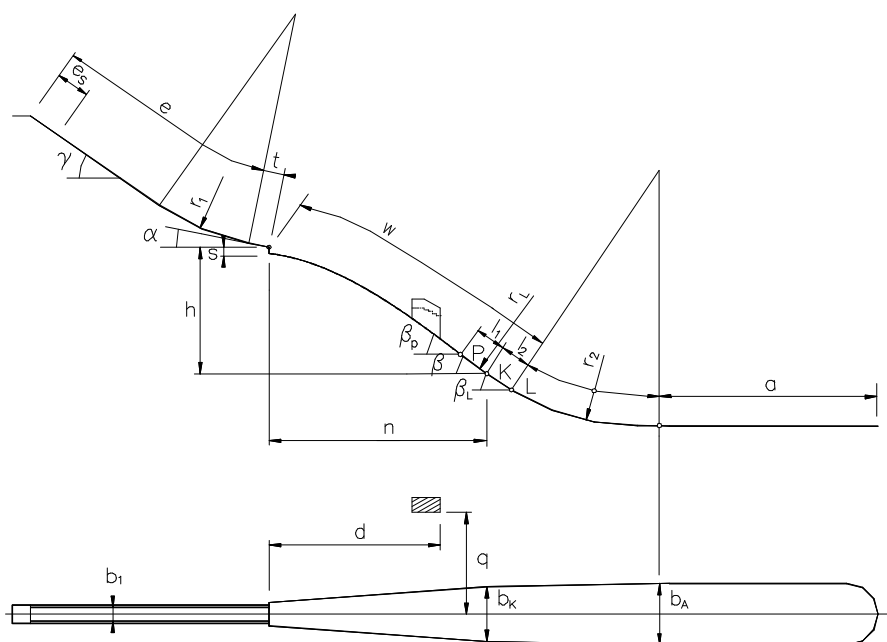
Valid till 31.12.2016
Valable jusqu' au
Gültig bis

Place: Zakopane

Name: Wielka Krokiew

HS = 134 m h/n 0.585

Vo = 25.5m/s



e = 91 m	l_1 = 11 m	P = 109 m
e_s = 16 m	l_2 = 13.90 m	K = 120 m
t = 6.5 m	a = 107 m	L = 133.90 m
γ = 35 °	β_p = 37.5 °	b_1 = 2.5 m
α = 10.5 °	β = 35.5 °	b_K = 24 m
r_1 = 100 m	β_L = 33 °	b_A = 26.4 m
h = 60.29 m	r_L = 316 m	d = 84 m
n = 103.06 m	r_2 = 133.5 m	q = 35 m
s = 3.0 m		

JUMPING HILL APPROVED BY THE FIS
TREMPLIN HOMOLOGUE PAR LA FIS
DURCH DIE FIS GENEHMIGTE SPRUNGSCHANZE

SUB-COMMITTEE FOR JUMPING HILLS

CHAIRMAN:

