

No.

247 / GER 49

1st prolongation

**CERTIFICATE OF JUMPING HILL
CERTIFICAT DE CONFORMITE
SCHANZENPROFILBESTÄTIGUNG**

Date of issue 07.08.2019
Établi le
Ausgestellt am

Valid till 30.04.2024
Valable jusq` au
Gültig bis

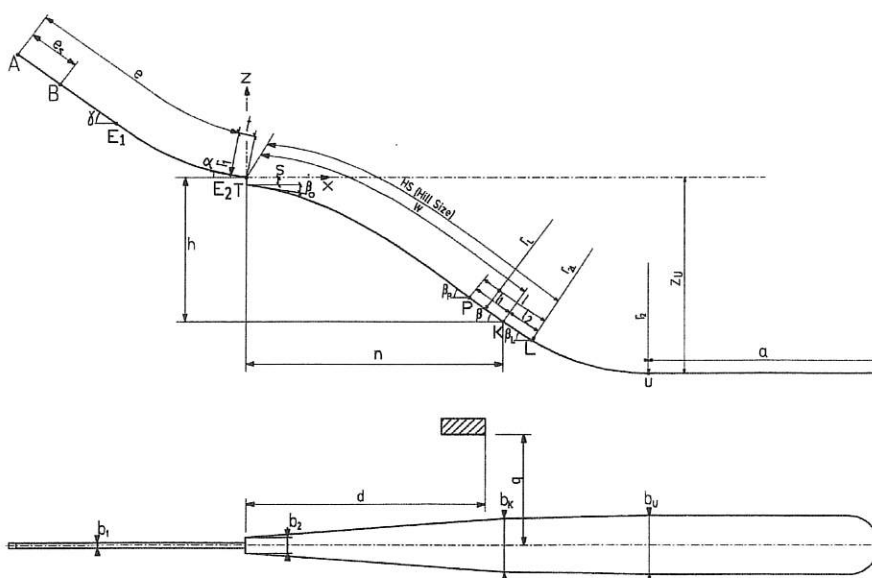
Place: Oberhof

Name: Rennsteig

HS = 100 m

h/n 0,543

Vo = 24,40 m/s



| | | |
|--|----------------------------------|--------------------------------|
| e = 88,16 m | l₁ = 11,00 m | P = 79,00 m |
| e_s = 24,66 m 50 gates à 50cm | l₂ = 10,00 m | K = 90,00 m |
| t = 6,50 m | a = 72,64 m sloping up | L = 100,00 m |
| γ = 35,00 ° | β_p = 38,00 ° | b₁ = 2,50 m |
| α = 11,00 ° | β = 35,00 ° | b₂ = 5,40 m |
| r₁ = 91,00 m | β_L = 32,00 ° | b_K = 18,00 m |
| h = 42,70 m | r_L = 210,00 m | b_U = 19,80 m |
| n = 78,63 m | r_{2L} = 180,00 m | d = 55,90 m |
| s = 2,10 m | r₂ = 85,00 m | q = 29,20 m |

Remarks / Bemerkungen

1. inspection by Josef Slavik (9th July 2019)
2. the remarks of the inspection-report must be observed and fulfilled for the validity of the certification.
3. for fulfilling the (FIS/ICR) standards of the jumpinghills, the owner is responsible during training and competition.
4. the area "B" in front of the take off table must be covered with soft damp mats during training and competition.

JUMPING HILL APPROVED BY THE FIS
TREMPLIN HOMOLOGUE PAR LA FIS
DURCH DIE FIS GENEHMIGTE SPRUNGSCHANZE

SUB-COMMITTEE FOR JUMPING HILLS

CHAIRMAN:

Hans-Martin Renn